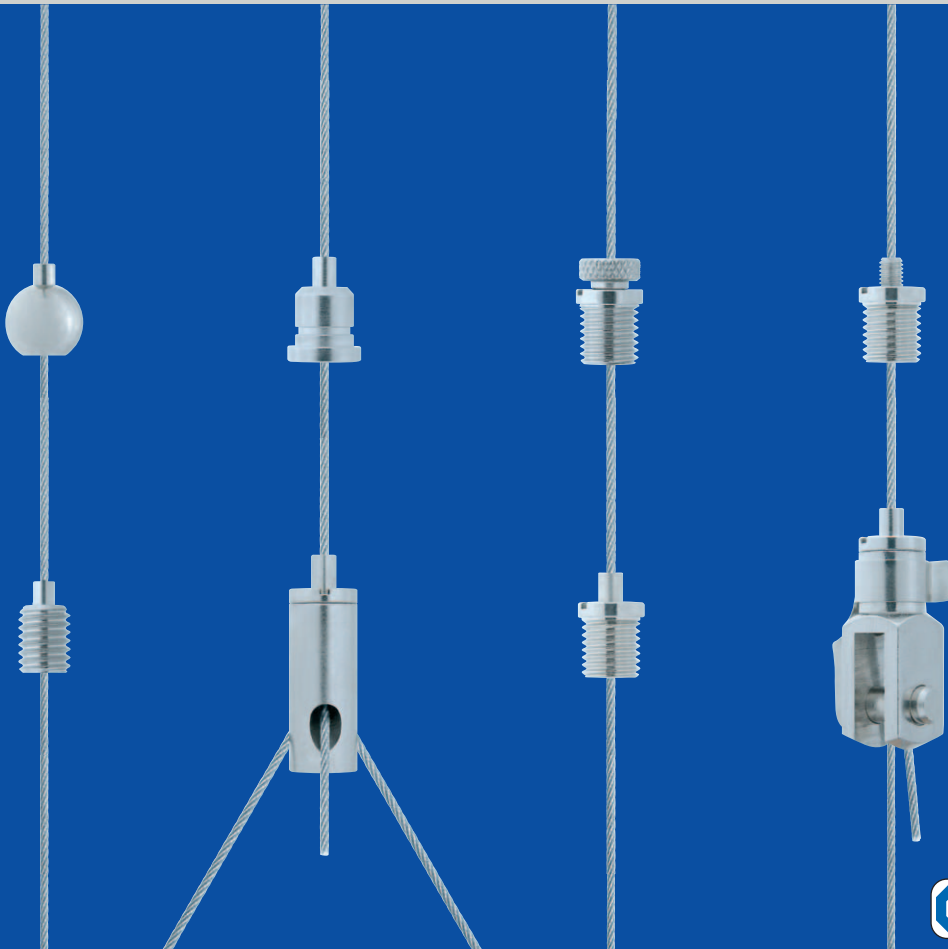


Mini Type 10|12

- Lighting Fixtures
- Museums
- Interior Construction
- Shop Fittings



REUTLINGER[®]
systematic suspension

REUTLINGER – The only TÜV-certified holders



REUTLINGER – the only TÜV-certified holders

The German TÜV is internationally renowned as a rigorous testing institution and is highly trusted by producers and consumers – especially for technical products.

The highest and most comprehensive level of TÜV-testing is GS-certification, denoting safe equipment and recognizable by the well-known blue sticker.

REUTLINGER is the world's only manufacturer of cable suspension systems that has succeeded in complying with the demands of GS-certification with every product line: our promise of safety confirmed by the TÜV.



The TÜV-certificate – a safety guarantee from REUTLINGER.

TÜV-certification

All REUTLINGER holders type 10 and 12 have been certified

Holder type 10

Certificate-Nr.
Z1A 0604 14229 027

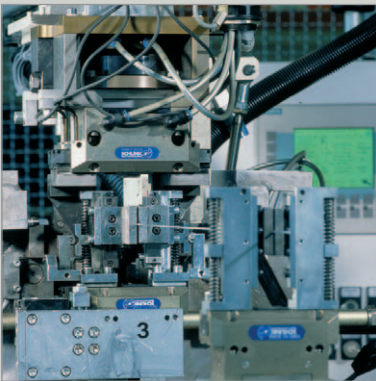
Holder type 12

Certificate-Nr.
Z1A 0604 14229 024





Product design with 3D-CAD-systems



Fully automatic cable-production with testing

Loadable and flexible

Whether you're suspending light or small loads: REUTLINGER holders are infinitely adjustable up and down the cable without tools.

Unscrew safety-cap, suppress plunger, slide the holder, release the plunger and screw down the safety-cap – that's it.

REUTLINGER · Specialists for cable attachments and suspension **04**

Technical Information **05**

Type 10 **06**

Central cable exit 07
 Lateral cable exit 08

Type 12 **09**

Central cable exit 09
 Lateral cable exit 10
 Special versions 11

Cables - Accessories **12**

Cable ends 12
 Cables 13
 Cable clips 13
 Ceiling attachments 14

Contact **16**

REUTLINGER - Specialists for cable attachments and suspension



From a traditional workshop into a global high-tech company

„Technology should help us reach our goals. Therefore REUTLINGER constantly strives for logic and simplicity in all our products. Every detail must be functional and each function must make sense.“

Wolf Reutlinger, who has lead the company since 1987, continued this tradition of craftsmanship while initiating innovative processes which opened up new applications and markets.

More than meets the eye

The use of REUTLINGER fastening attachments always results in permanent connections. This is the effect guaranteed by the self-locking mechanisms inside our holders. The elements devised specifically for this purpose are based on the following principle: the heavier the load – the greater the clamping force. For safe working loads (SWL) up to 400 kg.

By continually expanding the range of our products we were able to dominate the world market for suspended lighting fixtures within a few years. Today we are proud to count virtually all producers of high-quality lighting fixtures – as well as the automobile industry, sign- and shelf-manufacturers, galleries and museums – among our regular customers.

Customer demands – a constant incentive to innovate

Highly qualified employees, the use of modern CAD systems and fully automated production facilities allow us to consistently turn out innovative products of unvarying high quality. We individually develop and manufacture our products in close cooperation with our customers. We put all our know-how at the disposal of our customers – from initial planning to detailed construction and manufacture right up to final installation.

»Improve what is good, change what is ineffective«

Keeping an eye on quality and costs reflects this thinking – in all of our products. We pay special attention to the constant optimising of the following factors:

- increase loadability of the complete system
- reduce size to improve visual adaptability
- increase design variations
- reduce customers' installation time

Adjusting without tools

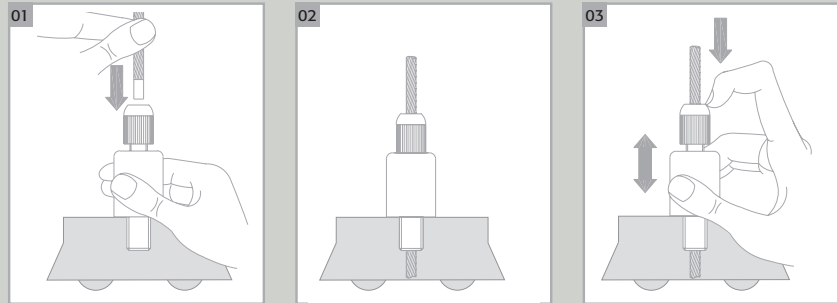
First, the knurled cap is unscrewed a few thread-turns so the cable can be inserted (see illustration 1).

Once the holder is put in place the cap is screwed down until firm resistance is felt. This pulls the cable into the cone (see illustration 2).

Vertical readjustment of the holder follows the same procedure (see illustration 3).

Inadvertent un-clamping through skewed loading or inattentiveness can no longer result in fallen loads.

We recommend occasional readjustment of the safety-cap.



Safety-caps

Safety-caps prevent inadvertent release of the clamping mechanism inside the holders. That's why the plunger is threaded. Safety-caps are available in various versions.

- Cylindrical safety-caps available with cross knurling or vertical knurling (see p. 9)
- Domed safety-caps are available with cross- oder vertical knurling, or without

Working loads & cables

A system's SWL equals 20% of its breaking load.

Cables			Recommended cables & Safe Working Loads		
Cable diameter	Cable material	cable construction	Serial number	Type 10	Type 12
0,8	stainless steel	6x7+1SC, 1.570 N/mm ²	031.010.081	4 kg	4 kg
1,0	stainless steel	6x7+1SC, 1.570 N/mm ²	031.010.101	6 kg	7 kg
	zinc plated	6x7+1SC, 2.300 N/mm ²	015.580.111	8 kg	10 kg
1,2	stainless steel	6x7+1SC, 1.570 N/mm ²	031.010.121	no	10 kg
	zinc plated	6x7+1SC, 2.300 N/mm ²	015.580.121	no	15 kg

Chart 1: Recommended cables and Safe Working Loads

Holder type 10 | 12

10

Discreet – but always in a leading role

Holders type 10 and type 12 are the smallest members of the REUTLINGER product range. They are especially called for when the suspension of lighting fixtures or other objects should be nearly invisible.

Holders type 10 are usable in connection with cable- \varnothing from 0.8 mm to 1.0 mm. Holders type 12 are usable for cable- \varnothing from 0.8 mm to 1.2 mm.



Subtle integration into the suspended object



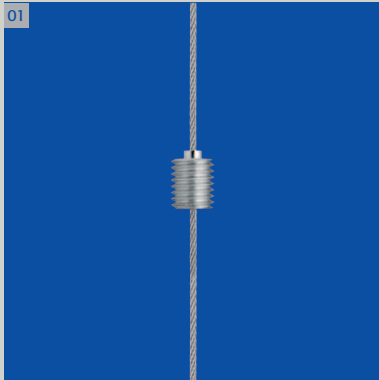
Numerous applications

The Holders are very small and easy to overlook. But they are distinguished by an extremely high loadability.

Numerous coupling attachments onto various holder types make holders type 10 and type 12 almost universally usable.

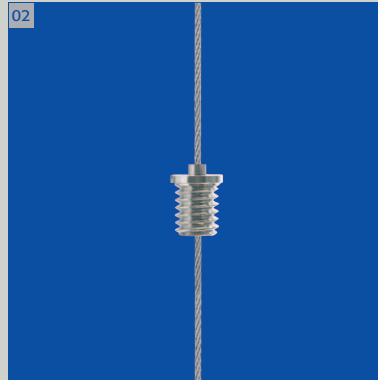
Holders have been certified by the German TÜV.

Central
cable exit



01
Holder type 10
M6x8

Diameter	6 mm
Length	8 mm
Coupling thread	M6
Thread length	8 mm
Ser. no.	193.008.000



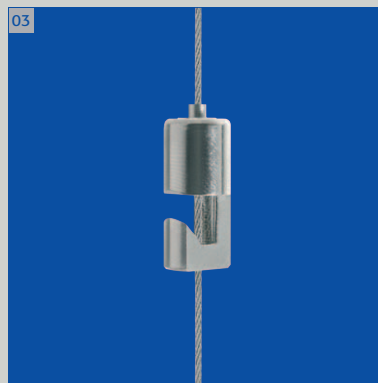
02
Holder type 10
M6x7 A7

Diameter	7 mm
Length	8 mm
Coupling thread	M6
Thread length	7 mm
Ser. no.	193.008.005



04
Holder type 10
fork M4x8

With safety bolt	
Diameter	8 mm
Length	23 mm
Fork width	4 mm
Ser. no.	193.008.002



03
Holder type 10
Hook

Diameter	9 mm
Length	20 mm
Ser. no.	193.008.001

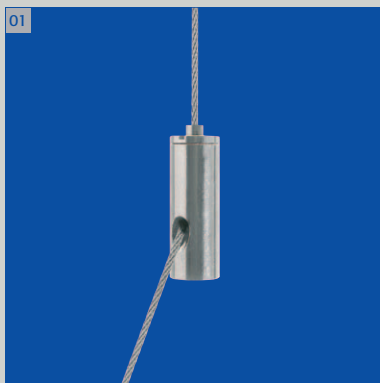
Holder type 10

Cable diameter 0.8 mm to 1.0 mm (all illustrations to scale)

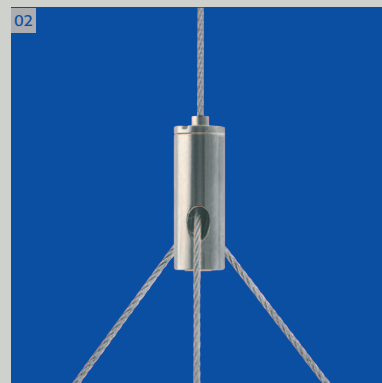


Holder in use
(luminaire by TAL)

Lateral cable exit



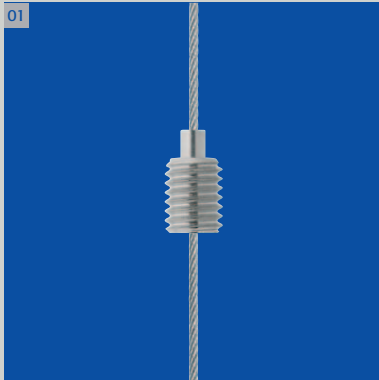
01	Holder type 10 ZW M4x4
Diameter	7 mm
Length	19 mm
Coupling thread	M4
Usable thread depth	4 mm
Ser. no.	193.008.007



02	Holder type 10 ZW M4x4 slit 1,2 mm with set-screw M4x4
Diameter	7 mm
Length	19 mm
Ser. no.	193.008.006



Central
cable exit



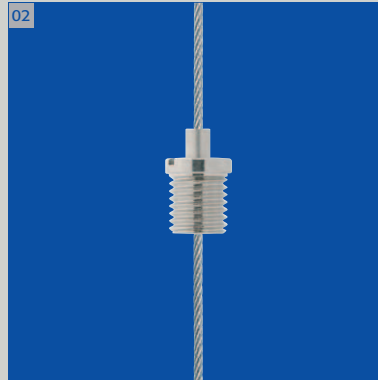
01

**Holder type 12
M8x10**

Diameter	8 mm
Length	10 mm
Coupling thread	M8
Thread length	10 mm
Ser. no.	193.000.098

**Holder type 12V
M8x10**

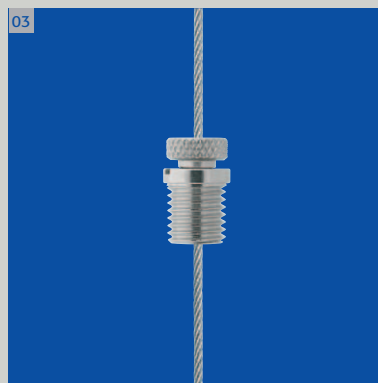
With safety-nut	
Diameter	8 mm
Length	10 mm
Coupling thread	M8
Thread length	8 mm
Ser. no.	193.000.766



02

**Holder type 12
M8x1 A9**

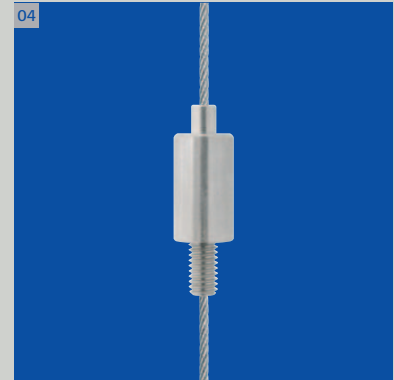
Diameter	9 mm
Length	10 mm
Coupling thread	M8x1
Thread length	8 mm
Ser. no.	193.000.139



03

**Holder type 12
M8x1 A9**

With knurled safety-nut M3	
Diameter	9 mm
Length	10 mm
Coupling thread	M8x1
Thread length	8 mm
Ser. no.	193.000.137



04

**Holder type 12
M4x7 o.R.**

Diameter	8 mm
Length	21 mm
Coupling thread	M4
Thread length	7 mm
Ser. no.	193.000.134

**Holder type 12
M4x7 m. LR**

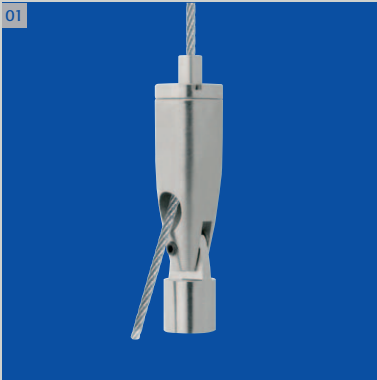
Diameter	8 mm
Length	21 mm
Coupling thread	M4
Thread length	7 mm
Ser. no.	193.000.133

Holder type 12

Cable diameter 0.8 mm to 1.2 mm (all illustrations to scale)

Lateral
cable exit

12



01

Holder type 12 ZW hinged M4x4

Diameter	9 mm
Length	32 mm
Coupling thread	M4
Usable thread depth	4 mm
Ser. no.	193.000.798

Holder type 12 ZW hinged M5x4

Diameter	9 mm
Length	32 mm
Coupling thread	M5
Usable thread depth	4 mm
Ser. no.	193.000.887



02

Holder type 12 ZW M3x4

Diameter/Length	9/24 mm
Coupling thread	M3
Usable thread depth	4 mm
Ser. no.	193.000.281

Holder type 12 ZW M4x4

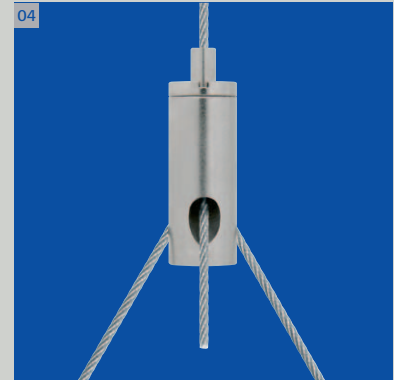
Diameter/Length	9/24 mm
Coupling thread	M4
Usable thread depth	4 mm
Ser. no.	193.000.142



03

Holder type 12 M8x1 A9 with coupling part ZW-NK

Diameter/Length	8/26 mm
Flange width/depth from	3,5/8 mm
Flange height	2,5 mm
Ser. no.	193.000.143



04

Y-holder type 12 ZW M4x4 slit 1,6 mm with set-screw Mx6

Diameter	9 mm
Length	24 mm
Slit	1,6 mm
Ser. no.	193.000.136

Y-holder type 12 ZW M4x4 slit 1,6 mm with set-screw M4

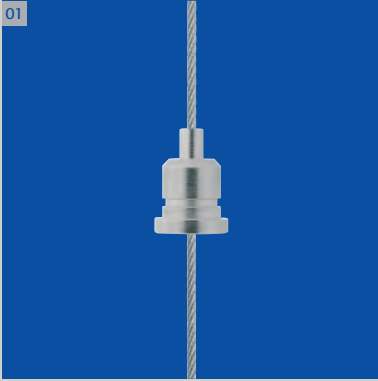
Ser. no.	193.000.777
----------	-------------

Y-holder type 12ZW M4x4 lateral bore ø 1,6 mm with set-screw M4

Ser. no.	193.000.763
----------	-------------



Special versions



01
Holder type 12
N7x10

To attach securing- or clamping-plates	
Diameter	8 mm
Length	10 mm
Flange-ø	10 mm
Groove-height	1 mm
Groove-ø	7 mm
Ser. no.	193.000.135



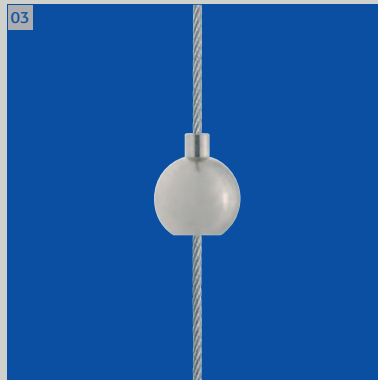
02
Holder type 12
fork 5x10 with safety-bolt

Diameter	10 mm
Length	28 mm
Fork width	5 mm
Fork length	16 mm
bolt-ø	5 mm
Ser. no.	193.000.141



04
Holder ball-joint type 12
with M6i

Diameter	16 mm
Length	21 mm
Ser. no.	193.000.207

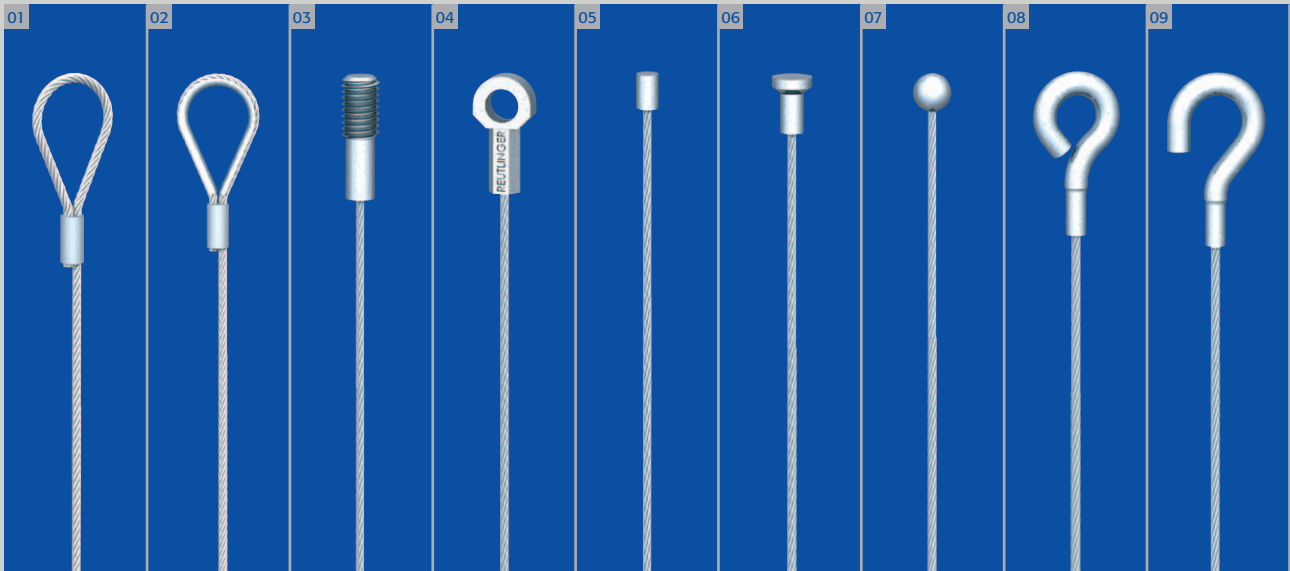


03
Holder type 12
ball ø 12

Diameter	12 mm
Ser. no.	193.000.017

Cable ends

On demand cables with various cable-ends custom-made to fit individual suspensions (length, materials, diameter.)



01	02	03	04	05	06	07	08	09
Loop	Loop & thimble	Threaded bolt	Eyelet	Cylindrical sleeve 13	T-sleeve 02	Ball-sleeve 36	Wire eyelet	Wire hook
Dimensions according to drawing	Dimensions according to drawing	Dimensions according to drawing	for bolts ø 5,0 mm	ø 4,0 mm Length 6,0 mm	Head-ø 6,0 mm Length 8,5 mm	ø 6,0 mm	for bolts ø 7 mm	hook opening 4 mm

Cables			Cable ends								
Cable diameter	Cable material	Cable construction	(1) Loop	(2) Loop & thimble	(3) Threaded bolt	(04) Eyelet	(05) Cylindrical sleeve 13	(06) T-sleeve 02	(07) Ball-sleeve 36	(08) Wire eyelet	(09) Wire hook
0,8	stainless steel	6x7+1SC 1.570 N/mm ²	●	●	●	●	●	●	●	●	●
1,0	stainless steel	6x7+1SC 1.570 N/mm ²	●	●	●	●	●	●	●	●	●
	zinc plated	6x7+1SC 2.300 N/mm ²	●	●	●	●	●	●	●	●	●
1,2	stainless steel	6x7+1SC 1.570 N/mm ²	●	●	●	●	●	●	●	●	●
	zinc plated	6x7+1SC 2.300 N/mm ²	●	●	●	●	●	●	●	●	●

Chart 2: Cables and cable-ends (● available)

Cables for Holders

1. Materials and coatings

Cables are available in two degrees of durability

- 1.1. galvanized steel for normal indoor use;
- 1.2. stainless steel for exterior use and decorative requirements

2. Specific cable strength

Along with the standard strength cables with 1570 N/mm² we also offer high-tensile- strength cables with up to 2400 N/mm². With these you get a higher system strength with the same cable diameter.

3. Cable construction

The new cables for Holders are all very flexible, no matter what construction. Therefore we normally offer only 6x7+WSC (aka 7x7). Should cables have to run on wheels, a special solution must be found.

4. Cable diameter

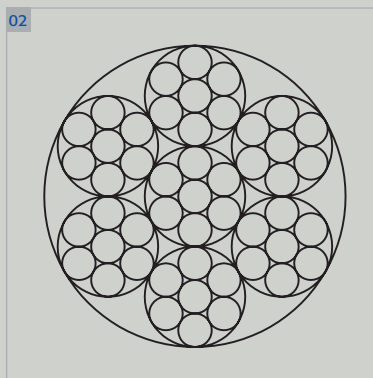
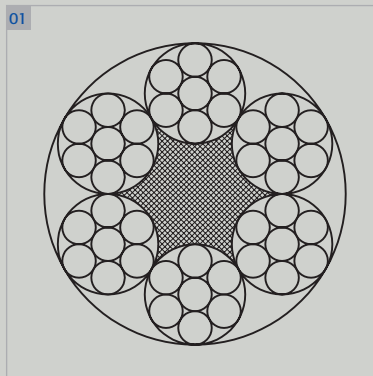
REUTLINGER offers cables from 0.8 mm to 1.2 mm suitable for Holders.

5. Use of other cables

REUTLINGER cables are free of tension, stress-free, not twisted and cut-proofed. When using other cables take care that cutting does not untwist the cable, because it's possible that they will not fit into the holder after they have been tinned.

6. Individual solutions

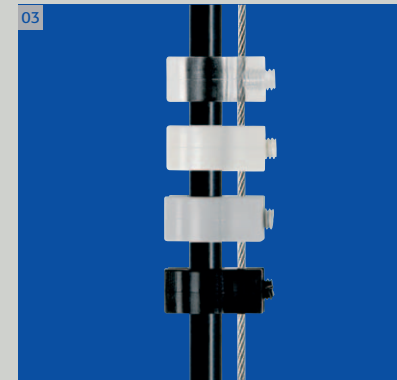
Let us help you choose the best solution among our variety of cable ends.



01 cables similar EN 12385 6x7+1FSC

02 cables similar EN 12385 6x7+1WSC

Attaching power-feeds to cables



03 Cable clip ›Flex Plus small‹

Power-feed-ø	5,0 - 8,0 mm
Cable-ø	1,0 - 2,0 mm
Colour	Ser. no.
black	029.006.598
white	029.006.595
grey	029.006.596
transparent	029.006.597

Cable clip ›Flex Plus large‹

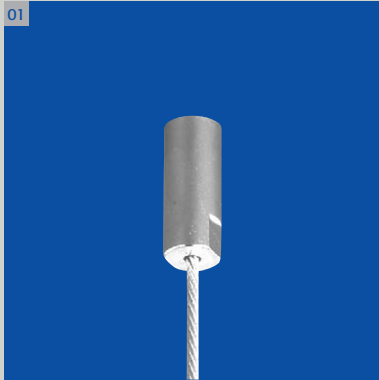
Power-feed-ø	7,0 - 10,5 mm
cable-ø	1,0 - 2,0 mm
Colour	Ser. no.
black	029.006.592
white	029.006.590
grey	029.006.593
transparent	029.006.594

Cable clip ›Flex Standard‹

Power-feed-ø	6,0 - 8,0 mm
Cable-ø	1,0 - 1,6 mm
Colour	Ser. no.
black	029.005.124
white	029.005.123
transparent	029.005.249

Accessories

Single piece ceiling attachments

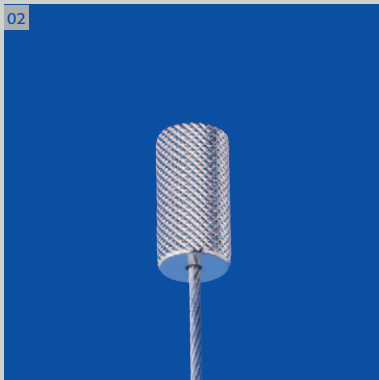


01

Ceiling attachment M6i o.R. SW7

Diameter	8 mm
Length	20 mm
Coupling thread	M6i
Wrench opening	7 mm
Ser. no.	029.004.078

02



02

Ceiling attachment M6i m.R.

Diameter	10 mm
Length	20 mm
Coupling thread	M6i
Ser. no.	029.006.200

Two-piece ceiling attachments



03

Ceiling attachment M8x1 short

Flange diameter	11 mm
Diameter	9 mm
Length	14 mm
Coupling thread	M8x1
with M6i Ser. no.	029.006.203
without M6i Ser. no.	029.006.201

Ceiling attachment M10x1 short

Flange diameter	16 mm
Diameter	12 mm
Length	115 mm
Coupling thread	M10x1
with M6i Ser. no.	029.006.007

04



04

Ceiling attachment M10x1 with bore

Flange diameter	16 mm
Diameter	12 mm
Length	26 mm
Coupling thread	M10x1
with M6i, ser. no.	029.006.010
without M6i, ser. no.	029.006.009



05

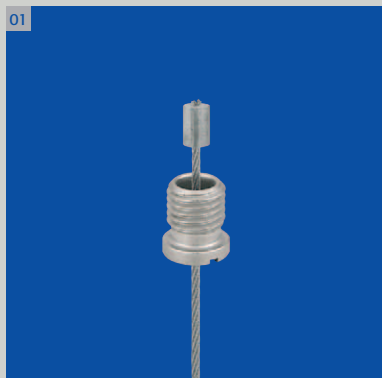
Ceiling attachment M8x1 with slit

Flange diameter	11 mm
Diameter	9 mm
Length	20 mm
Coupling thread	M8x1
with M6i Ser. no.	029.006.044
without M6i Ser. no.	029.006.031

Ceiling attachment M10x1 with slit

Flange diameter	16 mm
Diameter	12 mm
Length	26 mm
Coupling thread	M10x1
with M6i Ser. no.	029.006.012

Two-piece ceiling attachments



01

Screw cap M8x1

Diameter	9 mm
Length	10 mm
Coupling thread	M8x1
Thread length	8 mm
Ser. no.	029.006.030

Screw cap M8x1 ›Quick‹

Same as screw cap M8x1,
with slit

Ser. no.	029.006.732
----------	-------------

Screw cap M10x1

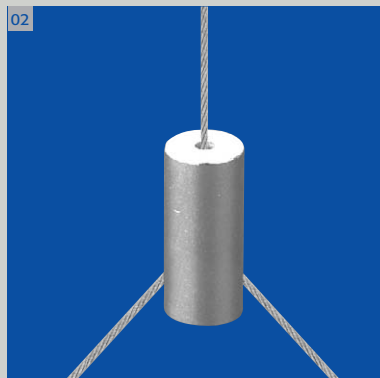
Diameter	12 mm
Length	10 mm
Coupling thread	M10x1
Thread length	8 mm
Ser. no.	029.006.011

Screw cap M10x1 ›Quick‹

Same as screw cap M10x1,
with slit

Ser. no.	029.006.705
----------	-------------

Y-coupling parts



02

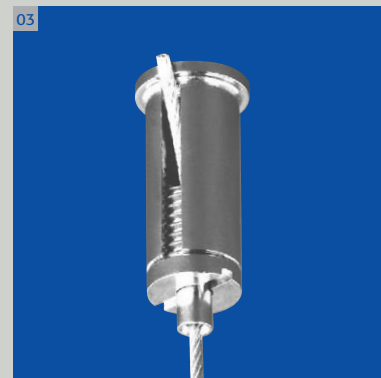
Combination Y-coupling part M5x5 with slit and set screw M5x6

For cable- \varnothing	1.0 -1.5 mm
Diameter	6 mm
Length	17 mm
Thread depth	5 mm
Ser. no.	193.000.028

Combination Y-coupling part M5x5 with lateral bore and set screw M5x6

For cable- \varnothing	1.0 -1.5 mm
Diameter	6 mm
Length	17 mm
Thread depth	5 mm
Ser. no.	193.000.898

Ceiling holder



03

Ceiling attachment M8x1 with slit and holder type 12 M8x1 A9

Diameter	11 mm
Length	22 mm
Coupling thread	M8x1
Thread depth	8 mm
Ser. no.	193.000.819

Ceiling attachment M10x1 with slit and holder type 15 M10x6A

Diameter	16 mm
Length	24 mm
Coupling thread	M10x1
Thread depth	12 mm
Ser. no.	193.000.427

Further solutions
by request!



Have we gotten you interested?
Do you have questions concerning
technical details?

Give us a call.

Please ask for further
available brochures:

Standard

holders & accessories
type 15, 18, 20

Heavy duty

holders & accessories
Type 25, 30, 50, 80

Shop | Display

Shelving- and display-systems
for shops

Gallery

Suspension systems for galleries
and exhnits

Event Technology

Rigging, Stage Production,
Fair Booths

**Sales & Consultations
Germany**

Olaf Habel
+49 (0) 69 965228-13
habel@reutlinger.de

Hans-J. Arendt
+49 (0) 69 965228-16
hj.arendt@reutlinger.de

Andreas Mixa
+ 49 (0) 69 965228-37
a.mixa@reutlinger.de

**Sales & Consultations
Foreign**

Silvia Kopka
+49 (0) 69 965228-12
s.kopka@reutlinger.de

Reutlinger GmbH

Offenbacher Landstr. 190
60599 Frankfurt
Germany

Phone +49 (0) 69 965228-0
Telefax +49 (0) 69 96522830

E-Mail info@reutlinger.de
Internet www.reutlinger.de

Managing Director:
Dipl. Ing. Wolf Reutlinger
HRB Frankfurt 33321

USt-ID DE 114 209 718